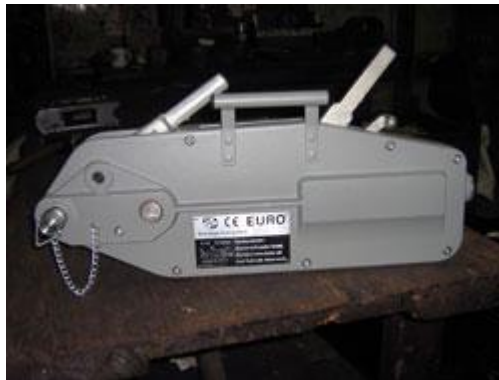


Wire rope hoists

Range Specifications

Lifting Equipment Ltd



Basic Wire Rope Hoist Range



Please note colours may vary

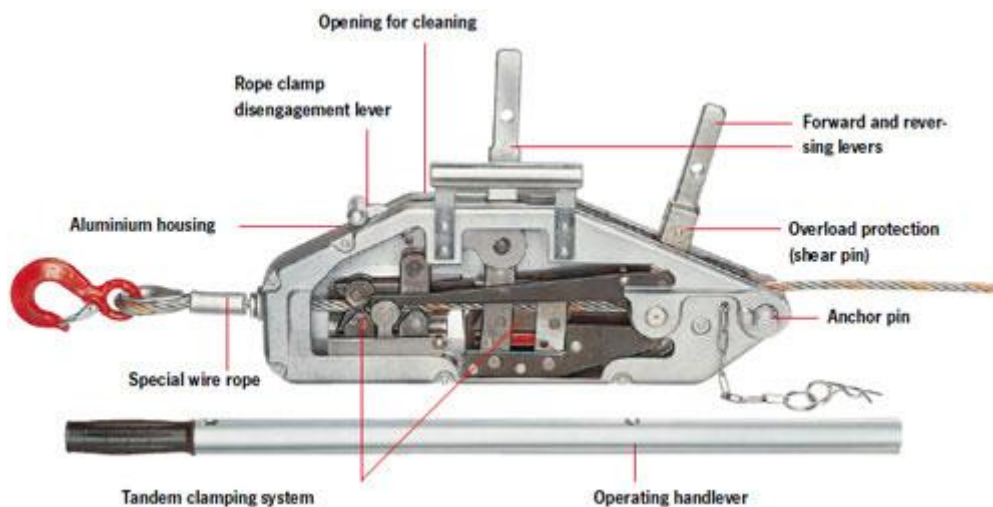
	LE800	LE1600	LE3200	
Rated Capacity (kg)	800	1600	3200	
Rated Forward Hand power (M)	341	400	438	
Rated Forward Travel (mm)	≥52	≥55	≥28	
Rope Diameter (mm)	8.3	11	16	
Wire Rope Safety Factor Load Capacity	5	5	5	
Safety factor & Static load capacity	4	4	4	
Max Travelling Load (kg)	1200	2400	4000	
Net Weight	6.4	12	23	
	A	426	545	660
Max Overall Size	B	238	284	325
	C	64	97	116
L1 (cm)	-	692	692	
L2 (cm)	-	1200	1200	
L3 (cm)	800	-	-	

The Premier Range of Wire Rope Pulling Hoists

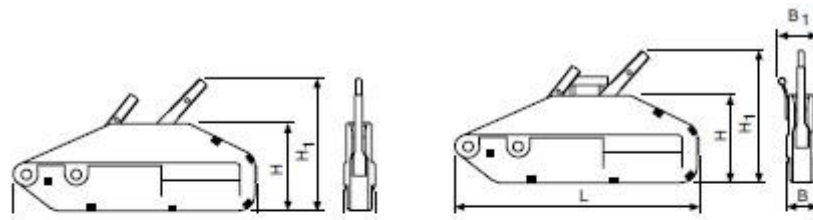
Yaletrac - pulling force 800-3200 daN

Very light weight and small, benefitting from a high strength aluminium alloy body with a flat bottom surface for excellent stability in either vertical or horizontal positions. It has the following features:

- The tandem position of its forward and reverse levers ensure full power transfer along its slim centre line
- A shearing pin in the forward lever acts as an overload protection. Spare shear pins are included and are located in the operating lever or handle. Should a shear pin break then it can be replaced without removing the load.
- The wire rope is easily and smoothly installed by a lever that disengages the rope clamp system.
- The Yaletrac comes complete with a special very flexible wire rope, it is fused and tapered on end and has a sling hook with safety latch on the other.
- A parallel clamping system ensures that the wire rope is protected by spreading the clamping force, whilst a long rope advance on call lever stroke increases the working speed.
- Easy to clean and maintain the unit can be flushed with water through the large top opening simply apply a little motor oil for lubrication and the Yaletrac is once again ready for use.

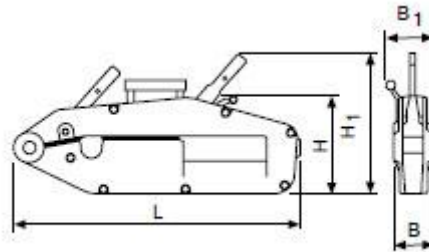
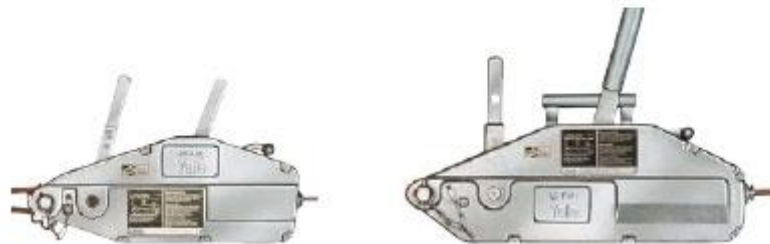


Model	Capacity (WLL)	Rope advance per double stroke	Lever pull at WLL	Lever length	Rope diameter	Weight without rope	Rope weight
	kg	mm	daN	mm	mm	kg	kg/m
LE-Y08	800	60	4	800	8.4	7	0.9
LE-Y16	1600	60	30	790/1190	11.5	14	0.53
LE-Y3	3 00	40	50	790/1190	16.0	1	1.00



Model LE-Y08

Model LE-Y16

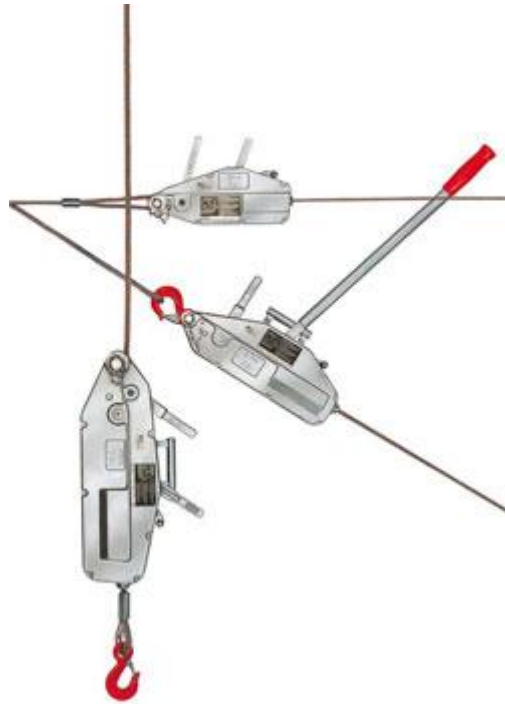


Model LE-Y32



Model	LE-Y08	LE-Y16	LE-Y32
L, mm	430	545	680
H, mm	168	190	230
H1, mm	40	70	330
B, mm	60	7	91
B1, mm	–	97	110

The wire rope machine is a safe, reliable and multifunction unit. Work can be performed in any position vertical, horizontal or even at an angle. Even the capacity can be increased with the aid of sheaved, remember though never exceed the marked safe working loads for lifting.



Options Available

- Longer Ropes
- Choice of end fittings
- Drum reel (available on the premier range only)
- Storage box

CALL US FOR MORE INFORMATION
01384 76961