

Swivel Hoist Ring

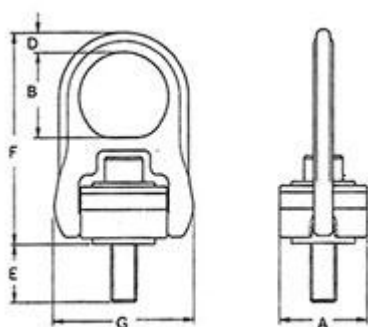
Lifting Equipment Ltd



Swivel Hoist Ring



- Yoke Hoist Rings will turn 360° and pivot 180° allowing the adjustment in pull direction.
- Yoke Hoist Rings retain 100% of the rated capacity @ 90°
- **Extended shank length available on request**



Swivel Hoist Ring with alloy steel washer - UNC thread

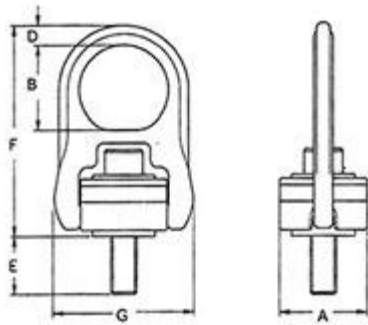
Part Code	W.L.L. Lbs	Torque In Ft. Lbs	Bolt Size	Dimensions (inch)						Weight Kgs
				E	A	B	D	F	G	
LGD-204-004	800	7	5/16 - 18 x 2	0.68	1.57	1.61	0.35	4.02	2.56	0.4
LGD-204-005	1000	12	3/8 - 16 x 2	0.68	1.57	1.61	0.35	4.02	2.56	0.5
LGD-204-010	2500	28	1/2 - 13 x 2.5	0.69	2.56	2.32	0.59	6.26	4.13	1.7
LGD-204-019	4000	60	5/8 - 11 x 2.5	0.69	2.56	2.32	0.59	6.26	4.13	1.8
LGD-204-021	5000	100	3/4 - 10 x 2.75	0.94	2.56	2.32	0.59	6.26	4.13	1.9
LGD-204-042	8000	160	7/8 9 x 3.5	1.33	3.35	2.87	0.87	8.03	5.28	4.2
LGD-204-045	10000	230	1 - 8 x 3.5	1.33	3.35	2.87	0.87	8.03	5.28	6.7
LGD-204-070	15000	470	1-1/4 - 7 x 4.5	2.22	3.95	3.15	1.00	8.58	6.30	15.5
LGD-204-125	24000	800	1- 1/2 - 6 x 6.5	3.15	4.72	4.29	1.38	12.09	8.66	16.5
LGD-204-135	30000	1100	2 - 4.5 x 6.5	3.15	4.72	4.29	1.38	12.09	8.66	16.8

Hoist Ring Working Load Application

	Number of Leg Load Direction	1		2		2		2	3-4		3-4
		0°	0°	90°	90°	0-45°	45-60°	unsymm.	0-45°	45-60°	unsymm.
LGD-204-004	5/16"	800	1600	800	1600	1120	800	800	1680	1200	800
LGD-204-005	3/8"	1000	2000	1000	2000	1400	1000	1000	2100	1500	1000
LGD-204-010	1/2"	2500	5000	2500	5000	3500	2500	2500	5250	3750	2500
LGD-204-019	5/8"	4000	8000	4000	8000	5600	4000	4000	8400	6000	4000
LGD-204-021	3/4"	5000	10000	5000	10000	7000	5000	5000	10500	7500	5000
LGD-204-030	3/4"	7000	14000	7000	14000	9800	7000	7000	14700	10500	7000
LGD-204-042	7/8"	8000	16000	8000	16000	11200	8000	8000	16800	12000	8000
LGD-204-045	1"	10000	20000	10000	20000	14000	10000	10000	21000	15000	10000
LGD-204-070	1 1/4"	15000	30000	15000	30000	21000	15000	15000	31500	22500	15000
LGD-204-125	1 1/2"	24000	48000	24000	48000	33600	24000	24000	50400	36000	24000
LGD-204-135	2"	30000	60000	30000	60000	42000	30000	30000	63000	45000	30000



- Yoke Hoist Rings will turn 360° and pivot 180° allowing the adjustment in pull direction.
- Yoke Hoist Rings retain 100% of the rated capacity @ 90°
- **Extended shank length available on request**



Swivel Hoist Ring with alloy steel washer

Part Code	Torque Nm	Bolt Size	Dimensions (mm)						Weight (Kg)
			E	A	B	D	F	G	
LGD -203-004	10	M8 X 1.25 X 50	16.5	40	41	9	102	65	0.4
LGD -203-005	16	M10 X 1.50 X 45	11.5	40	41	9	102	65	0.5
LGD -203-010	38	M12 X 1.75 X 60	14.0	65	64	15	158	105	1.7
LGD -203-019	81	M16 X 2.00 X 65	19.0	65	64	15	158	105	1.8
LGD -203-021	136	M20 X 2.50 X 70	24.0	65	64	15	158	105	1.9
LGD -203-042	312	M24 X 3.00 X 80	25.0	85	79	19	204	134	4.2
LGD -203-070	637	M30 X 3.50 X 135	77.0	100	100	25	241	160	6.7
LGD -203-110	1005	M36 X 4.00 X 160	75.0	120	111	30	286	194	15.5
LGD -203-125	1005	M42 X 4.50 X 175	90.0	120	111	30	286	194	16.5
LGD -203-135	1350	M48 X 5.00 X 190	105.0	120	111	30	286	194	16.8

Hoist Ring Working Load Application

Number of Leg Load Direction		1 Leg		2 Leg		2 Leg		2 Leg unsymm.	3-4 Leg		3-4 Leg unsymm.
		0°	90°	0°	90°	0-45°	45-60°		0-45°	45-60°	
LGD-203-004	M8	0.50	1.00	0.50	1.00	0.70	0.50	0.50	1.05	0.75	0.50
LGD-203-005	M10	0.55	1.10	0.55	1.10	0.77	0.55	0.55	1.16	0.83	0.55
LGD-203-010	M12	1.30	2.60	1.30	2.60	1.82	1.30	1.30	2.73	1.95	1.30
LGD-203-019	M16	2.40	4.80	2.40	4.80	3.36	2.40	2.40	5.04	3.60	2.40
LGD-203-021	M20	2.70	5.40	2.70	5.40	3.78	2.70	2.70	5.67	4.05	2.70
LGD-203-042	M24	5.25	10.50	5.25	10.50	7.35	5.25	5.25	11.03	7.88	5.25
LGD-203-070	M30	8.75	17.50	8.75	17.50	12.25	8.75	8.75	18.38	13.13	8.75
LGD-203-110	M36	13.75	27.50	13.75	27.50	19.25	13.75	13.75	28.88	20.63	13.75
LGD-203-125	M42	15.60	31.20	15.60	31.20	21.84	15.60	15.60	32.76	23.40	15.60
LGD-203-135	M48	16.90	33.80	16.90	33.80	23.66	16.90	16.90	35.49	25.35	16.90

Safe Use; Inspection and Maintenance

Here are some basic yet key safety instructions to follow to ensure safe use of swivel eye bolts

Always:

- Check the damage or wear before each use
- Ensure the ring pivots and rotates freely before each use
- Install using listed torque values and check regularly
- Make sure threads are clean and fit properly
- Follow manufacturers specific instructions

Never:

- Exceed the marked safe working loads
- Use hoist ring if bend or distorted
- Use bend bolts
- Use spacers/washers between bushing and mounting surface
- Use near corrosive substances
- Use in extreme temperatures without consulting the manufacturer.

CALL US FOR MORE INFORMATION
01384 76961