

Swivel Eyebolts

Lifting Equipment Ltd



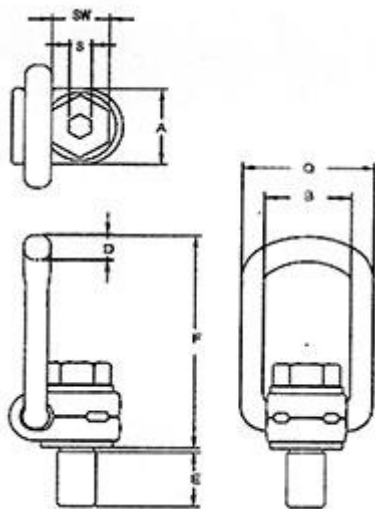
Swivel Eye Bolts



Lifting Gear Direct can supply a range of quality swivel eye bolts to provide secure fixing points which can swivel through 360 degrees and are able to pivot either 90 or 180 degrees depending on the model. They are available in metric and UNC threads with various shank lengths available.

Swivel eye bolts enable loading from various angles, unlike the standard fixed eye bolt and therefore provides multiple lifting positions as the swivel eye will adapt and adjust to the direction of the pull; added to this a further benefit is the fact that it can swivel completely through 360 degrees without the risk of the bolt twisting out.

Swivel eye bolts are commonly used in the manufacturing and material handling sectors to provide safer and more versatile anchor points from which to attach chains etc. than the standard, rigid eye bolt.



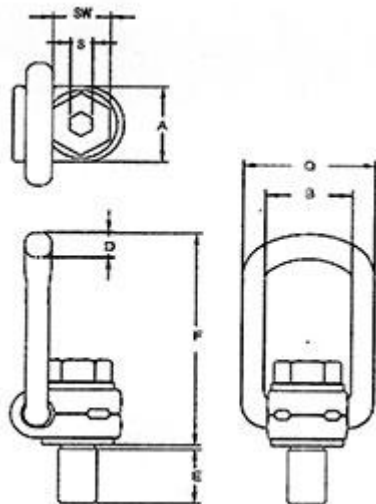
- Grade 100 Lifting Point are 360° rotation with 90° pivot function.
- Bolts are UNC thread (ASME/ANSI B18.3.1M), specification is a grade 10.9 alloy socket head screw per DIN EN ISO 4762.
- Proof Load individually to 2.5 times Working Load Limit and certified.
- Rated at 100% at 90° angle
- 100% magnaflux crack detection

Lifting Point UNC Thread

Part Code	Working Load Limit lbs	Torque In Ft-Lbs	Bolt Size	Dimensions (inch)								SW	Weight Kgs
				B	E	A	G	D	F	S			
LGD-212-010	2200	73	1/2 - 13 x 2.3	1.46	0.84	1.30	2.24	0.53	3.86	3/8	3/4	0.5	
LGD-212-015	3300	110	5/8 - 11 x 2.5	1.46	1.02	1.30	2.24	0.53	3.86	1/2	15/16	0.5	
LGD-212-020	5500	185	3/4 - 10 x 3.0	2.13	1.29	1.97	3.23	0.65	5.51	5/8	1 1/8	1.3	
LGD-212-025	5500	221	7/8 - 9 x 3.3	2.13	1.47	1.97	3.23	0.65	5.51	3/4	1 5/16	1.3	
LGD-212-040	8800	295	1 - 8 x 3.5	2.13	1.67	1.97	3.23	0.65	5.51	3/4	1 1/2	1.4	
LGD-212-050	11000	368	1 1/4 - 7 x 4.5	2.56	1.93	2.36	3.90	0.89	6.69	7/8	1 7/8	3.1	
LGD-212-080	17000	585	1 1/2 - 6 x 5.5	3.35	2.26	3.03	4.88	1.04	8.86	1	2 1/4	5.8	
LGD-212-150	33000	1107	1 3/4 - 5 x 6.5	4.09	2.69	3.74	6.22	1.42	10.28	1 1/4	2 5/8	10.9	
LGD-212-200	44000	1476	2 - 4.5 x 7	4.09	3.28	3.74	6.22	1.42	10.28	1 1/2	3	11.6	

Lifting Point UNC Thread Working Load Applications

Part Code	inch	1 leg		2 leg		2 leg		3-4 leg		3-4 leg	
		0°	90°	0°	90°	0-45°	45-60°	unsymm	0-45°	45-60°	unsymm
LGD-212-010	1/2	2200	4400	2200	4400	3080	2200	2200	4620	3300	2200
LGD-212-015	5/8	3300	6600	3300	6600	4620	3300	3300	6930	4950	3300
LGD-212-020	3/4	5500	11000	5500	11000	7700	5500	5500	11550	8250	5500
LGD-212-025	7/8	5500	11000	5500	11000	7700	5500	5500	11550	8250	5500
LGD-212-040	1	8800	17600	8800	17600	12320	8800	8800	18480	13200	8800
LGD-212-050	1 1/4	11000	22000	11000	22000	15400	11000	11000	23100	16500	11000
LGD-212-080	1 1/2	17000	34000	17000	34000	23800	17000	17000	35700	25500	17600
LGD-212-150	1 3/4	33000	66000	33000	66000	46200	33000	33000	69300	49500	33000
LGD-212-200	2	44000	88000	44000	88000	61600	44000	44000	92400	66000	44000





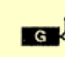

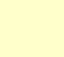


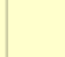


- Grade 100 Lifting Point are 360° rotation with a 90° pivot function
- Bolts are Metric thread (ASME/ANSI B18.3.1M), specification is a grade 10.9 alloy socket head screw per DIN EN ISO 4762.
- Proof load individually to 2.5 times Working Load Limit and certified.
- Rated at 100% at 90° angle
- 100% magnaflux crack detection



Lifting Point Metric Thread

Part Code	Working Load Limit tonnes	Torque In Nm	Bolt Size	Dimensions (mm)								N.W. Kg
				B	E	A	G	D	F	S	SW	
LGD-211-003	0.3	30	M8 x 1 x 1.25 x 45	35	13	30	55	10.0	85	6	13	0.2
LGD-211-006	0.63	60	M10 x 1.50 x 50	35	18	30	55	10.0	85	8	17	0.3
LGD-211-010	1.0	100	M12 x 1.75 x 60	37	21	33	57	13.5	98	8	19	0.5
LGD-211-012	1.2	120	M14 x 2.00 x 60	37	21	33	57	13.5	98	10	24	0.5
LGD-211-015	1.5	150	M16 x 2.00 x 65	37	25	33	57	13.5	98	10	24	0.5
LGD-211-020	2.0	200	M18 x 2.00 x 75	54	28	50	82	16.5	140	12	30	1.3
LGD-211-025	2.5	250	M20 x 2.50 x 80	54	32	50	82	16.5	140	12	30	1.3
LGD-211-040	4.0	400	M24 x 3.00 x 85	54	37	50	82	16.5	140	14	36	1.4
LGD-211-042	4.0	400	M27 x 3.00 x 110	65	44	60	99	22.5	170	17	41	2.8
LGD-211-050	5.0	500	M30 x 3.50 x 115	65	49	60	99	22.5	170	17	46	3.1
LGD-211-070	7.0	700	M36 x 4.00 x 125	65	56	60	99	22.5	178	22	55	3.3
LGD-211-080	8.0	800	M36 x 4.00 x 140	85	57	77	124	26.5	225	22	55	5.8
LGD-211-100	10.0	1000	M42 x 4.50 x 150	85	66	77	124	26.5	225	24	65	6.3
LGD-211-150	15.0	1500	M42 x 4.50 x 160	104	63	95	158	36.0	261	24	65	10.9
LGD-211-200	20.0	2000	M48 x 5.00 x 170	104	73	95	158	36.0	261	27	75	11.6

Lifting Pint Working Load Application

Part Code	Thread										
		1 0°	2 0°	1 90°	2 90°	2 0-45°	2 45-60°	2 unsymm.	3-4 0-45°	3-4 45-60°	3-4 unsymm
LG8-211-003	M 8	0.3	0.6	0.3	0.6	0.42	0.3	0.3	0.63	0.45	0.3
LG8-211-006	M10	0.63	1.26	0.63	1.26	0.88	0.63	0.63	1.32	0.95	0.63
LG8-211-010	M12	1.0	2.0	1.0	2.0	1.4	1.0	1.0	2.1	1.5	1.0
LG8-211-012	M14	1.2	2.4	1.2	2.4	1.7	1.2	1.2	2.5	1.8	1.2
LG8-211-015	M16	1.5	3.0	1.5	3.0	2.1	1.5	1.5	3.1	2.2	1.5
LG8-211-020	M18	2.0	4.0	2.0	4.0	2.8	2.0	2.0	4.2	3.0	2.0
LG8-211-025	M20	2.5	5.0	2.5	5.0	3.5	2.5	2.5	5.2	3.7	2.5
LG8-211-040	M24	4.0	8.0	4.0	8.0	5.6	4.0	4.0	8.4	6.0	4.0
LG8-211-042	M27	4.0	8.0	4.0	8.0	5.6	4.0	4.0	8.4	6.0	4.0
LG8-211-050	M30	5.0	10.0	5.0	10.0	7.0	5.0	5.0	10.5	7.5	5.0
LG8-211-070	M36	7.0	14.0	7.0	14.0	9.8	7.0	7.0	14.7	10.5	7.0
LG8-211-080	M36	8.0	16.0	8.0	16.0	11.2	8.0	8.0	16.8	12.0	8.0
LG8-211-100	M42	10.0	20.0	10.0	20.0	14.0	10.0	10.0	21.0	15.0	10.0
LG8-211-150	M42	15.0	30.0	15.0	30.0	21.0	15.0	15.0	31.5	22.5	15.0
LG8-211-200	M48	20.0	40.0	20.0	40.0	28.0	20.0	20.0	42.0	30.0	20.0

CALL US FOR MORE INFORMATION
01384 76961