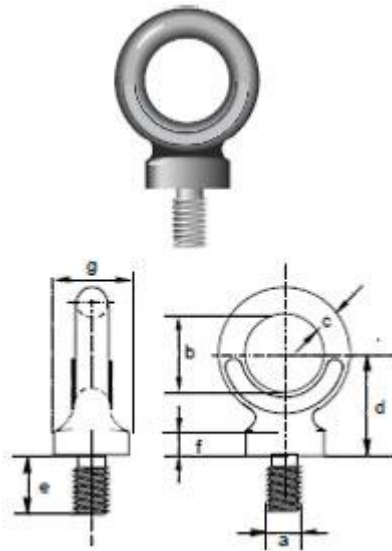
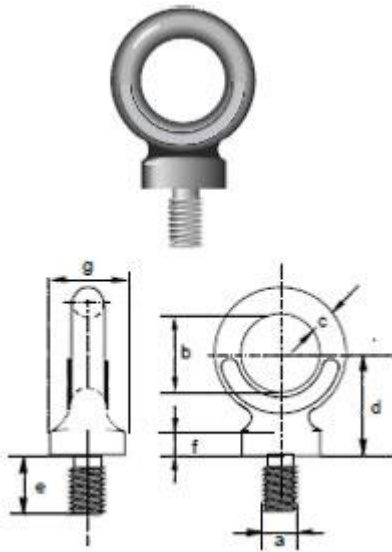


# Dynamo Eyebolt

Lifting Equipment Ltd



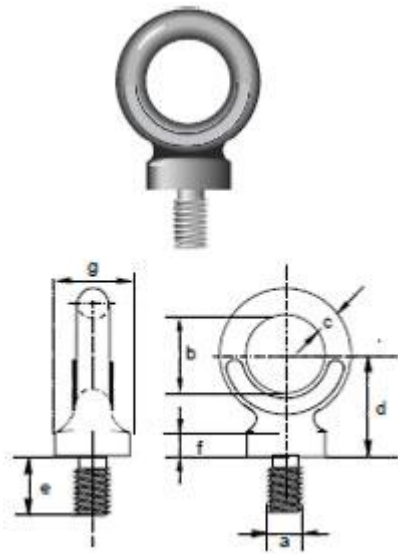
## Dynamo Eyebolt BSW Thread



- Material - Hardened & tempered to BS970-080A27
- Safety Factor - MBL = 5 x Safe working load
- Certificates - Works certificate issued as standard
- Finish - self coloured as standard can be Electro-galvanised as extra upon request
- Standard - B.S.4278 - table 3 - 1984
- Please Note - This is for vertical lifts only
- Also Available - Certificates of EC declaration of conformity and/or raw material cert.

Safe Working Load	Diameter Thread	Diameter Eye Inside	Diameter Eye	Length base to centre	Thread Length	Base Height	Diameter Base	Weight Each
Tonnes	a (inch)	b (inch)	c (inch)	d (inch)	e (inch)	f (inch)	g (inch)	Kg
0.10	1/4	7/8	3/8	1 1/16	3/4	1/4	3/4	0.08
0.15	5/16	7/8	3/8	1 1/16	3/4	1/4	3/4	0.09
0.25	3/8	7/8	3/8	1 1/16	3/4	1/4	3/4	0.09
0.50	1/2	1 1/16	7/16	1 3/8	1	5/16	1	0.14
0.80	5/8	1 1/4	1/2	1 5/8	1 1/8	3/8	1 1/8	0.24
1.20	3/4	1 9/16	11/16	2 1/8	1 1/4	1/2	1 7/16	0.43
1.60	7/8	1 3/4	11/16	2 5/16	1 3/8	9/16	1 3/8	0.61
2.20	1	2	13/16	2 7/16	1 13/16	1/2	1 5/8	0.88
2.65	1 1/8	2 3/8	1	2 7/8	2 1/16	3/4	2 1/8	1.63
3.50	1 1/4	2 3/8	1	2 7/8	2 1/16	3/4	2 1/8	1.70

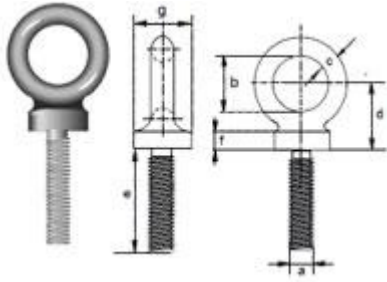
## Dynamo Eyebolt - Metric Thread



- Quality range with metric coarse thread
- Material - Hardened & tempered to BS970-080A27
- Safety Factor - MBL = 5 x Safe working load
- Standard - B.S. 4278-table3-1984
- Certificates - Works certificate issued as standard
- Finish - self coloured as standard, can be Electro-galvanised as extra upon request
- Please Note - This is for vertical lifts only
- Also Available - Certificates of EC declaration of conformity and/or raw material cert.

Safe Working Load	Diameter Thread	Diameter Eye Inside	Diameter Eye	Length base to centre	Thread Length	Base Height	Diameter Base	Weight Each
Tonnes	a (mm)	b (mm)	c (mm)	d (mm)	e (mm)	f (mm)	g (mm)	Kg
0.10	6	22	9	27	18	5	17	0.07
0.15	8	22	9	27	18	5	17	0.07
0.25	10	22	9	27	18	5	17	0.07
0.32	12	22	9	27	18	5	17	0.07
0.50	14	32	13	41	28	9	29	0.24
0.63	16	29	11	34	23	6	23	0.14
1.00	18	40	15	47	32	9	32	0.40
1.25	20	40	15	47	32	9	32	0.40
1.60	22	44	17	53	35	14	35	0.61
2.00	24	51	19	60	40	12	40	0.80

## Long Shank Dynamo Eyebolt BSW & Metric Thread



- Safety Factor - MBL Equal to five times SWL
- Material - High tensile steel
- Finish - Self-colour, electro galvanising / zinc plating on request
- Certification - Works certificate supplied as standard
- Note - This product is for vertical lifts only

### BSW Thread

Safe Working Load	Diameter Thread	Diameter Eye Inside	Diameter Eye	Length base to centre	Thread Length	Base Height	Diameter Base	Weight Each
Tonnes	a (inch)	b (inch)	c (inch)	d (inch)	e (inch)	f (inch)	g (inch)	Kg
0.25	3/8	7/8	3/8	1 1/16	3/4	1/4	3/4	0.09
0.50	1/2	1 1/16	7/16	1 3/8	1	5/16	1	0.14
0.80	5/8	1 1/4	1/2	1 5/8	1 1/8	3/8	1 1/8	0.24
1.20	3/4	1 9/16	11/16	2 1/8	1 1/4	1/2	1 7/16	0.43
2.20	1	2	13/16	2 7/16	1 13/16	1/2	1 5/8	0.88

### Metric Coarse Thread

Safe Working Load	Diameter Thread	Diameter Eye Inside	Diameter Eye	Length base to centre	Thread Length	Base Height	Diameter Base	Weight Each
Tonnes	a (mm)	b (mm)	c (mm)	d (mm)	e (mm)	f (mm)	g (mm)	Kg
0.15	8	22	9.5	27	100	6	19	0.11
0.25	10	22	9.5	27	100	6	19	0.12
0.32	12	29	11	35	100	8	25	0.17
0.63	16	32	13	41	114	9.5	29	0.35
1.25	20	41	16	54	127	11	35	0.60
2.00	24	51	19	64	127	13	41	1.10

**CALL US FOR MORE INFORMATION**  
**01384 76961**