

New Electric Chain Hoists

Advantages, Features and Specifications

Lifting Equipment Ltd



New Electric Chain Hoists

Advantages

- **Professional Workmanship** - Innovative design, utilizing the most modern material and precise manufacturing processes leading to increased safety and reduced maintenance time.
- **Easy Access** - Easy removable housing cover giving direct access to all electrical connections
- **Smooth Running** - Helical gearing ensures an extremely low noise level and an increased operational lifetime
- **Additional Advantage** - Direct access to the chain and anchor for hoists with double chain fall
- **Easy Maintenance** - Convenient access to wearing parts for easier maintenance
- **Quick replacement** - Chain guide and load wheel can be disassembled easily and quickly reducing down-time
- **High impact resistance** - Robust housing covers made from polyamide
- **Increased Safety** - The externally adjustable slip clutch is designed to guarantee a permanent connection between the load and the brake, even in extreme cases of overload.
- **Improved protection** - The enclosed design protects electrical components and especially the load brake from contamination to level IP55



Features

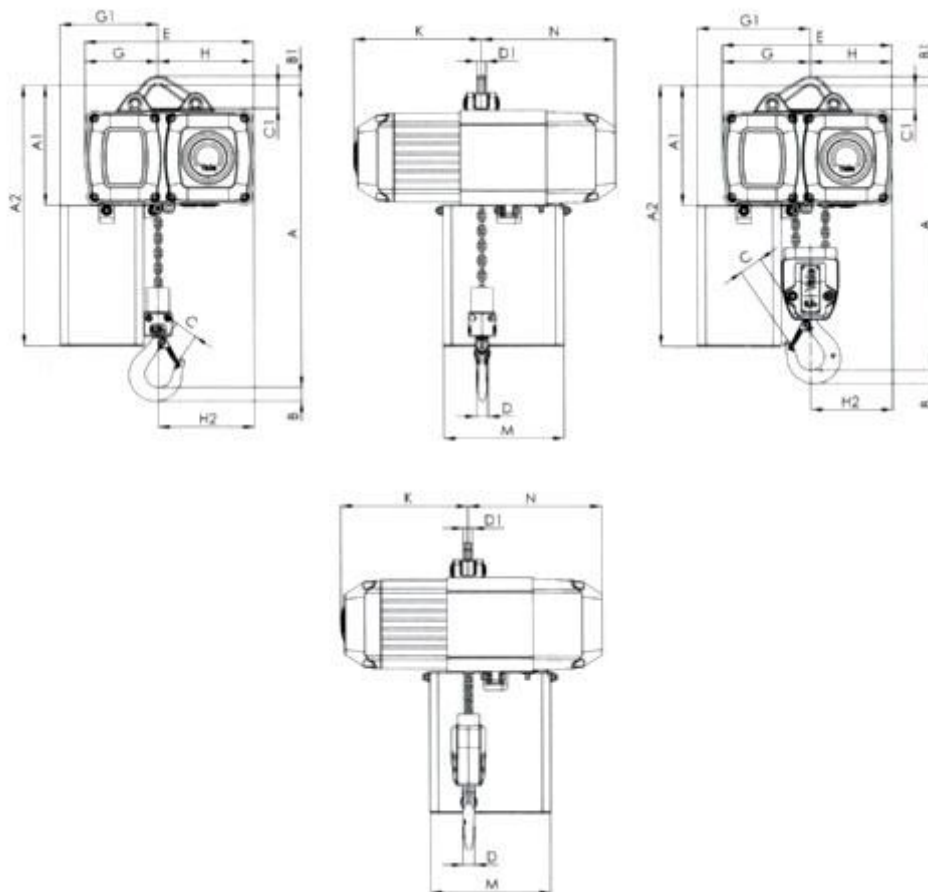
- FEM Classification 1Am. As required (with appropriate changes to lifting capacity resp. duty cycle) the hoist LGDVeGo can also be reclassified to 2m or 3m.
- Motor rating 50% ED for single speed, 33/17% ED for double speed
- Motor and controls protected to IP55 as standard
- Standard operating voltage: 400V, 3-phase, 50Hz, alternatively 460V, 3-phase, 60Hz. Single speed motors reconnectable to 230V, 3-phase, 50Hz
- 42V Control voltage (low voltage control) and an encapsulated pendant control to IP65
- The externally adjustable slip clutch is designed to guarantee a permanent connection between the load and the brake even in extreme cases of overload..
- Standard limit switch for the highest and lowest hook positions
- Oil bath lubricated and case hardened helical gears to ensure smooth running and low noise levels
- Suspension bracket provides compact dimensions and easy integration in low headroom applications
- Chain guide made of glass reinforced polamide for increased wear resistance.

Technical data model LGDVego CPV / CPVF

Model	Capacity / Chain Falls	Chain Dimension d x p	Lifting Speed Main Lift	Lifting Speed Fine Lift	Hoist Motor	Net weight* Suspension	Net weight* Push Trolley	Net weight* Electric Trolley
	kg	mm	m/Min	m/Min	kW	kg	kg	kg
CPV 2-8	250/1	4x12.2	8	-	0.37	24	39	47
CPVF 2-8	250/1	4x12.2	8	2	0.37/0.09	25	40	48
CPV 5-4	500/2	4x12.2	4	-	0.37	25	40	48
CPVF 5-4	500/2	4x12.2	4	1	0.37/0.09	26	41	49
CPV 5-8	500/1	5x15.1	8	-	0.75	26	41	49
CPVF 5-8	500/1	5x15.1	8	2	0.75/0.18	27	42	50
CPV 10-4	1000/2	5x15.1	4	-	0.75	28	43	51
CPVF10-4	1000/2	5x15.1	4	1	0.75/0.18	29	44	52
CPV10-8	1000/1	7.1x20.5	8	-	1.5	58	77	84
CPVF 10-8	1000/1	7.1x20.5	8	2	1.5/0.37	59	78	85
CPV 20-4	2000/2	7.1x20.5	4	-	1.5	63	82	89
CPVF 20-4	2000/2	7.1x20.5	4	1	1.5/0.37	64	83	90

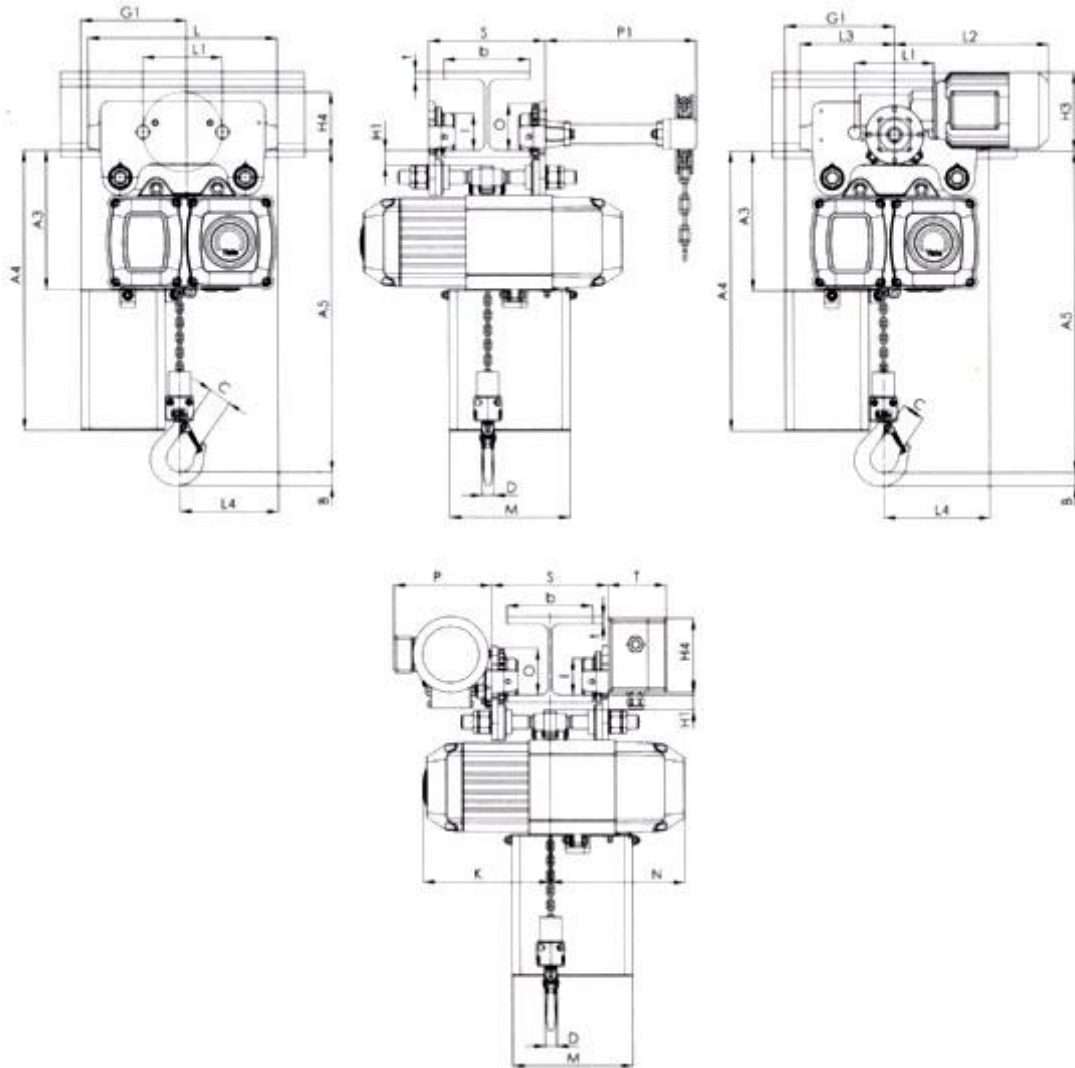
*Weight for standard 3m lift

Dimensions for model LGDVego CPV/CPVF



Model		CPV/CPVF 2-8	CPV/CPVF 5-4	CPV/CPVF 5-8	CPV/CPVF 10-4	CPV/CPVF 10-8	CPV/CPVF 20-4
A	mm	353	393	353	430	428	524
A1	mm	196	196	196	196	234	234
A2 (size I)	mm	376	376	376	376	464	464
A2 (size II)	mm	426	426	426	426	544	544

A2 (size III)	mm	506	506	506	506	-	-
B	mm	22	22	22	29	29	37
B1	mm	15	15	15	15	20	20
C	mm	29	29	29	35	35	40
C1	mm	38	37	38	38	45	45
D	mm	15	15	15	21	21	26
D1	mm	15	15	15	15	15	15
E	mm	277	277	277	277	326	326
G	mm	120	144	120	144	140	173
G1 (size I)	mm	142	142	142	142	208	208
G1 (size II)	mm	162	162	162	162	208	208
G1 (size III)	mm	162	162	162	162	-	-
H	mm	157	133	157	133	186	154
K (CPV)	mm	207	207	207	207	285	285
K (CPVF)	mm	207	207	207	207	285	285
M (size I)	mm	162	162	162	162	208	208
M (size II)	mm	197	197	197	197	208	208
M (size III)	mm	197	197	197	197	-	-
N	mm	219	219	219	219	274	274



Model		CPV/CPVF 2-8	CPV/CPVF 5-4	CPV/CPVF 5-8	CPV/CPVF 10-4	CPV/CPVF 10-8	CPV/CPVF 20-4
A3	mm	228	228	228	228	263	263
A4	mm	408	408	408	408	493	493
A4	mm	458	458	458	458	573	573
A4	mm	538	538	538	538	-	-
A5	mm	385	425	385	462	456	553
b	mm	A = 50 - 180 / B = 180 - 300					

H1	mm	24	24	24	24	23	23
H	mm	158	158	158	158	186	186
H3	mm	129	129	129	129	129	129
H4	mm	95	95	95	95	95	95
H4	mm	120	120	120	120	120	120
I	mm	72	72	72	72	96	96
I	mm	77	77	77	77	98	98
L	mm	310	310	310	310	360	360
L1	mm	130	130	130	130	150	150
L2	mm	265	265	265	265	265	265
L2	mm	265	265	265	265	265	265
L3	mm	155	155	155	155	180	180
L4	mm	161	161	161	161	203	203
O	mm	60	60	60	60	80	80
P	mm	200	200	200	200	200	200
P1	mm	246	246	246	246	246	246
S	mm	b+50	b+50	b+50	b+50	b+54	b+54
T	mm	95	95	95	95	95	95
tmax	mm	19	19	19	19	19	19

CALL US FOR MORE INFORMATION
01384 76961