

# Electric Hoists

High capacity hoist from 1600kg up to 10'000kg

Lifting Equipment Ltd



## Electric Hoist

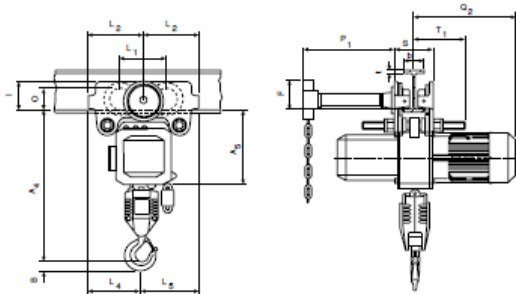
### High capacity hoist from 1600kg up to 10'000kg

- The standard, oil bath lubricated planetary gearbox which is particularly smooth running and provides for a low overall height.
- Contactor control 42V.
- The 5-pocket load chain sheave, manufactured from wear resistant case hardening steel is matched perfectly to the load chain to guarantee smooth and precise chain motion.
- Case hardened zinc plated link chain.
- The heavy duty squirrel cage motor has an adjustable spring pressure brake that holds the load securely even in the event of a power failure.
- The motor is designed for high duty cycle
- Motor fitted with bimetallic thermal protection, used in connection with low voltage control.
- 400V, 3-phase, 50Hz euro voltage.
- Motor protected to IP54, insulation class F.

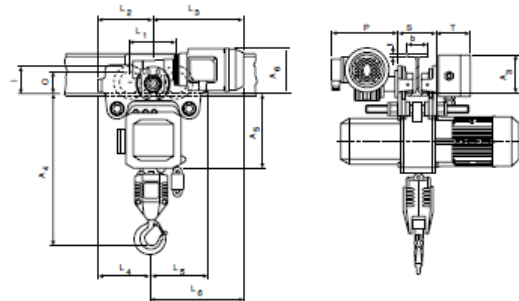


## Dimensions model CPE/CPEF

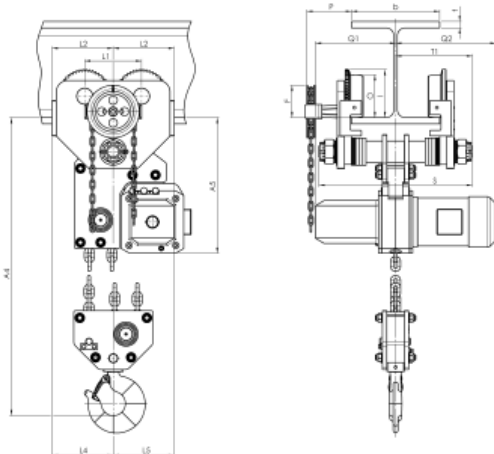
Modell	CPE/CPEF 16-8	CPE/CPEF 20-8	CPE/CPEF 25-5	CPE/CPEF 30-5	CPE/CPEF 32-4	CPE/CPEF 40-4	CPE/CPEF 50-2	CPE/CPEF 75-1,6	CPE/CPEF 100-2
A3, mm	143	143	143	143	143	143	143	-	110
A4, mm	465	465	465	465	615	615	615	855	965
A5, mm	298	298	298	298	298	298	298	477	450
A6, mm	178	178	178	178	178	178	178	-	170
b, mm	A = 98 - 180/ B = 180 - 300	A = 98 - 180/ B = 180 - 300	A = 98 - 180/ B = 180 - 300	A = 98 - 180/ B = 180 - 300	A = 98 - 180/ B = 180 - 300	A = 98 - 180/ B = 180 - 300	A = 98 - 180/ B = 180 - 300	A = 98 - 180/ B = 180 - 300	A = 98 - 180/ B = 180 - 300
F, mm	150	150	150	150	150	150	150	113	113
l, mm	142.5	142.5	142.5	142.5	142.5	142.5	142.5	170	170
L1, mm	209	209	209	209	209	209	209	200	200
L2, mm	262.5	262.5	262.5	262.5	262.5	262.5	262.5	215	215
L3 (VTE), mm	292	292	292	292	292	292	292	-	335
L3 (VTEF), mm	296	296	296	296	296	296	296	-	335
L4, mm	213	213	213	213	253	253	253	215	390
L5, mm	312	312	312	312	272	272	272	215	215
L6 (VTE), mm	342	342	342	342	302	342	342	-	-
L6 (VTEF), mm	346	346	346	346	306	306	306	-	-
O, mm	125	125	125	125	125	125	125	150	150
P (VTE), mm	197	197	197	197	197	197	197	-	273
P (VTEF), mm	205	205	205	205	205	205	205	-	280
P1, mm	229	229	229	229	229	229	229	-	110
S, mm	b + 70	b + 70	b + 70	b + 70	b + 70	b + 70	b + 70	b + 98	b + 98
T, mm	97	97	97	97	97	97	97	-	97
tmax., mm	27	27	27	27	27	27	27	40	40



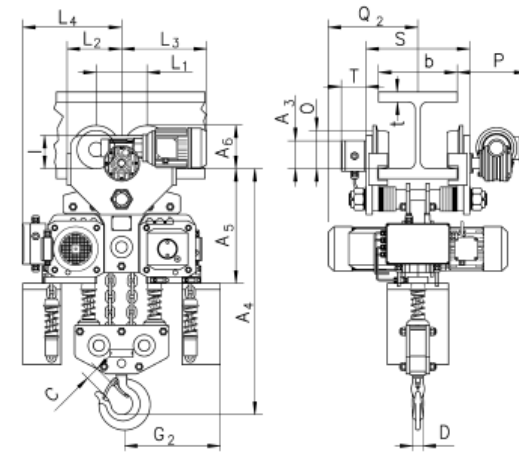
Model CPE/CPEF with integrated push or geared trolley



Model CPE/CPEF with integrated electric trolley



Model CPE/CPEF with integrated geared or electric trolley, 7500 kg



Model CPE/CPEF 100-2 point to point connection with an electric trolley

**CALL US FOR MORE INFORMATION**  
**01384 76961**