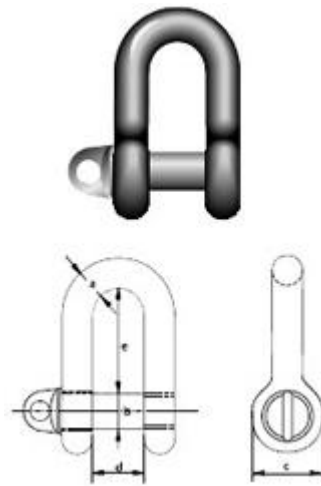


Dee Shackles

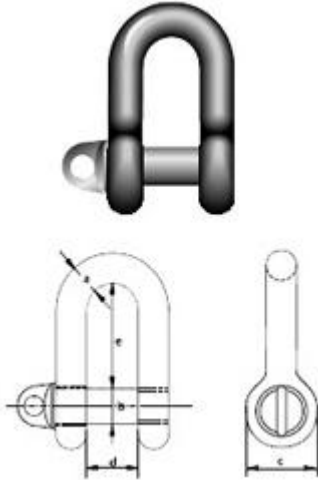
Specifications

Lifting Equipment Ltd



Large Dee Shackles - Screw pin Type

- British Standard 3032
- Manufactured from high tensile steel
- MBL 5:1
- Fully tested and certified
- Supplied as standard in a self colour finish



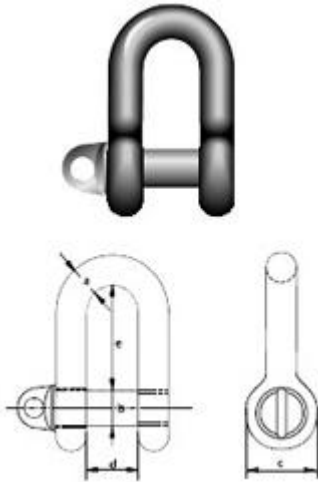
Working Load Limit	Diameter Bow	Diameter Pin	Diameter Eye	Inside Width	Inside Length	Weight Each
Tons	a (inches)	b (inches)	c (inches)	d (inches)	e (inches)	kg
0.25	1/4	3/8	3/4	1/2	1	0.06
0.50	3/8	1/2	1	3/4	1 1/2	0.16
0.75	1/2	5/8	1 1/4	1 1/8	2 1/8	0.35
1.50	5/8	3/4	1 1/2	1 1/4	2 1/2	0.63
2.00	3/4	7/8	1 3/4	1 1/2	2 7/8	1.00
3.00	7/8	1	2	1 3/4	3 1/4	1.54
3.75	1	1 1/8	2 1/4	2	3 3/4	2.21
5.00	1 1/8	1 1/4	2 1/2	2 1/8	4 1/8	3.11
6.00	1 1/4	1 3/8	2 3/4	2 3/8	4 1/2	4.33
7.00	1 3/8	1 1/2	3	2 5/8	5	5.33
9.50	1 1/2	1 3/4	3 1/2	2 3/4	5 3/8	8.46
11.25	1 5/8	1 7/8	3 3/4	3	5 3/4	10.48

13.00	1 3/4	2	4	3 1/4	6 1/8	12.66
14.25	1 7/8	2 1/8	4 1/4	3 5/8	7	15.34
16.25	2	2 1/4	4 1/2	3 7/8	7 3/8	18.50
18.00	2 1/8	2 3/8	4 3/4	4 1/8	7 3/4	23.80
20.00	2 1/4	2 1/2	5	4 1/4	8 1/4	28.60

Also available with nut & bolt pin and a galvanised finish.

Small Dee Shackles - Screw Pin Type

- British Standard 3032
- Manufactured from high tensile steel
- MBL 5:1
- Fully tested and certified
- Supplied as standard in a self colour finish



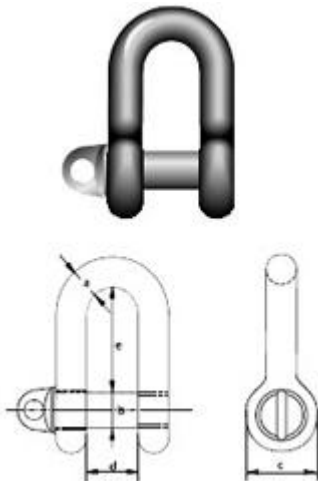
Working Load Limit	Diameter Bow	Diameter Pin	Diameter Eye	Inside Width	Inside Length	Weight Each
Tons	a (inches)	b (inches)	c (inches)	d (inches)	e (inches)	kg
0.30	1/4	3/8	3/4	3/8	7/8	0.06
0.60	3/8	1/2	1	5/8	1 3/8	0.15
1.00	1/2	5/8	1 1/4	7/8	1 7/8	0.33
1.75	5/8	3/4	1 1/2	1	2 1/4	0.61
2.50	3/4	7/8	1 3/4	1 1/4	2 3/4	0.93

3.50	7/8	1	2	1 3/8	3 1/4	1.80
4.50	1	1 1/8	2 1/4	1 1/2	3 5/8	2.15
5.50	1 1/8	1 1/2	3	2 1/8	5	5.34
7.00	1 1/4	1 3/8	2 3/4	1 7/8	4 1/2	4.20
8.00	1 3/8	1 1/2	3	2 1/8	5	5.34
10.75	1 1/2	1 3/4	3 1/2	2 3/8	5 1/2	8.36
13.00	1 5/8	1 7/8	3 3/4	2 1/2	5 7/8	9.35
14.75	1 3/4	2	4	2 3/4	6 3/8	12.39
16.75	1 7/8	2 1/8	4 1/4	2 7/8	6 3/4	15.30
19.00	2	2 1/4	4 1/2	3	7 1/4	18.40

Also available with nut & bolt pin and a galvanised finish.

Alloy Dee Shackles - Screw Pin Type

- Made from grade 6 High tensile steel
- Finished in a hot dipped galvanised coating
- Tested and certified



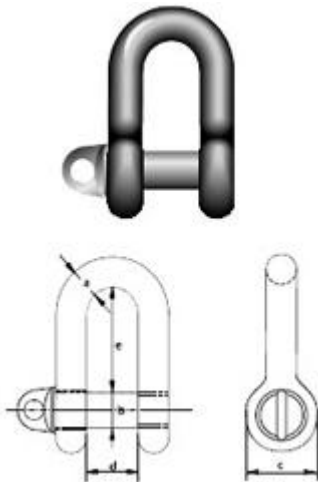
Working Load Limit	Diameter Bow	Diameter Pin	Diameter Eye	Inside Width	Inside Length	Weight Each
Tons	a (mm)	b (mm)	c (mm)	d (mm)	e (mm)	kg
0.50	6	8	16	12	22	0.05
0.75	8	10	19	13.5	26	0.08

1	10	11	23	17	32	0.13
1.50	11	13	27	19	37	0.20
2	13	16	30	20	41	0.27
3.25	16	19	38	27	51	0.57
4.75	19	22	46	32	60	1.19
6.5	22	25	53	36	71	1.43
8.5	25	28	61	43	81	2.16
9.5	28	32	68	46	90	3.06
12	32	35	76	51	100	4.11
13.5	35	38	84	57	111	5.28
17	38	42	92	60	122	7.24
25	45	50	106	73	146	12.14
35	50	57	119	83	171	16.86
55	65	70	145	105	203	32.65

Also available with a nut & bolt pin

Dee Shackles - Screw Pin

- Commercial quality - not to be used for lifting as untested
- Electro-galvanised finish

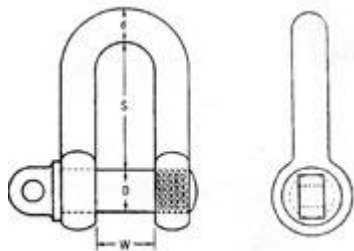


Diameter Bow	Diameter Pin	Diameter Eye	Inside Width	Inside Length	Weight Each
--------------	--------------	--------------	--------------	---------------	-------------

a (mm)	b (mm)	c (mm)	d (mm)	e (mm)	kg
5	5	10	10	19	1.47
6	6	12	12	25	2.56
8	8	16	16	32	6.06
10	10	20	20	38	11.80
11	11	22	22	44	15.80
12	12	24	24	51	20.50
14	14	28	28	53	32.50
16	16	32	32	64	48.50
20	20	40	40	76	94.70
22	22	44	44	89	126.00
25	25	50	50	100	185.00
28	28	56	56	115	260.00
32	32	64	64	127	388.00
38	38	76	76	152	650.00

Stainless Steel 'D' Type Shackles

- High tensile
- Screw pin
- Tested and certified

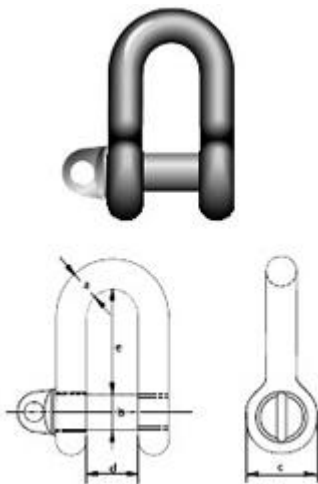


SWL	d	D	W	S	Weight Each
Tons	mm	mm	mm	mm	Kg
1	8	10	16	32	0.1
2	10	12.7	20	40	0.2

3	12.7	16	25	50	0.4
5	16	19	32	64	0.7
7	19	22.2	38	76	0.9
9	22.2	25.4	44	88	1.4
11	25.4	28.6	51	102	2.2
13	28.6	31.8	57	114	2.9
15	31.8	34.9	64	128	4.1
18	34.9	38	70	140	6.2

Stainless Steel Dee Shackles

- A151 316 - Screw Pin
- Polished finish
- Working loads are for guidance purposes only
- Items are untested and not therefore to be used for any lifting applications

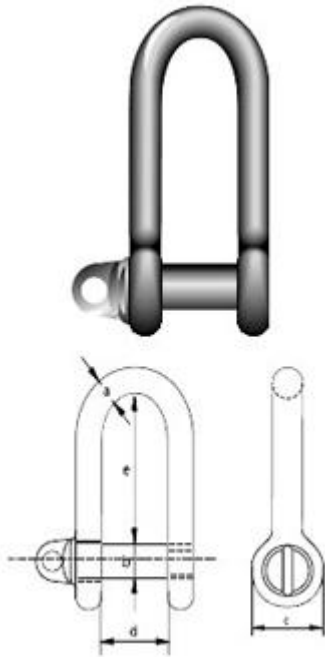


Working Load Limit	Diameter Bow	Diameter Pin	Diameter Eye	Inside Width	Inside Length	Width Bow	Weight per 100 Pcs
Kg	a (mm)	b (mm)	c (mm)	d (mm)	e (mm)	f (mm)	kg
-	4	4	8	8	16	14	1.2
50	5	5	10	10	20	17	1.8
100	6	6	12	12	24	21	2.8
150	8	8	16	16	32	28	6.4

250	10	10	20	20	40	34	15.0
500	12	12	24	24	48	42	22.0
750	16	16	32	32	64	56	55.0
1000	19	19	38	38	76	66	97.0
1500	22	22	44	44	88	77	146.0
2000	25	25	50	50	100	87	211.0
2500	28	28	56	56	112	98	285.0
3000	32	32	64	64	128	112	326.0

Piling Long Dee Shackles

- Screw Pin
- Manufactured from High Tensile steel
- Self Colour
- MBL 5:1
- Fully tested and certified



Metric Range

Working Load Limit	Diameter Bow	Diameter Pin	Diameter Eye	Inside Width	Inside Length	Weight Each
Tons	a (mm)	b (mm)	c (mm)	d (mm)	e (mm)	kg

1.00	13	16	32	22	152	0.55
1.50	16	19	38	32	203	0.95
2.00	19	22	45	38	203	1.64
3.00	22	25	50	45	254	2.29
3.75	25	28	57	50	254	3.40
5.00	28	32	64	54	305	5.05

Imperial Range

Working Load Limit	Diameter Bow	Diameter Pin	Diameter Eye	Inside Width	Inside Length	Weight Each
Tons	a (inches)	b (inches)	c (inches)	d (inches)	e (inches)	Lb
1.00	1/2	5/8	1 1/4	7/8	6	1.21
1.50	5/8	3/4	1 1/2	1 1/4	8	2.09
2.00	3/4	7/8	1 3/4	1 1/2	8	3.61
3.00	7/8	1	2	1 3/4	10	5.04
3.75	1	1 1/8	2 1/4	2	10	7.48
5.00	1 1/4	1 1/4	2 1/2	2 1/8	12	11.11

CALL US FOR MORE INFORMATION
01384 76961