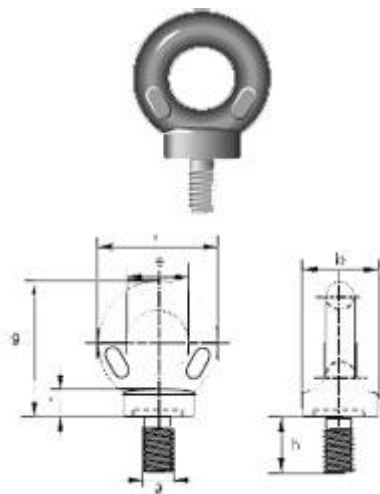
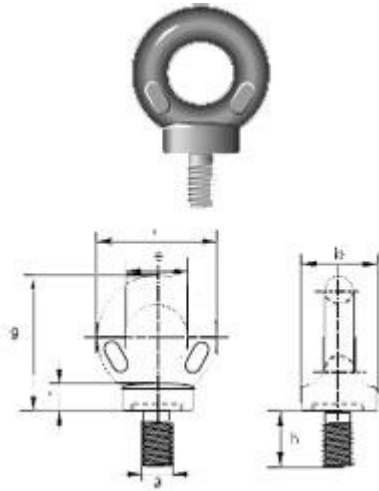


# Collared Eyebolt

Lifting Equipment Ltd



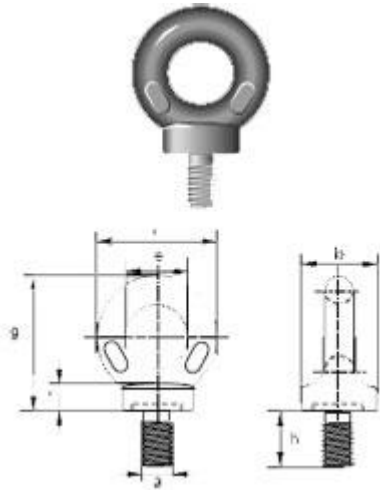
## Collared Eyebolt BSW Thread / UNC Thread / BSF & UNF Thread



- Collared eyebolts - the quality range - with BSW thread
- Standard - BS4278-table 1-1984
- Safety Factor - MBL equals five times SWL
- Material - Tempered & Hardened to BS970-080A27
- Finish - Self-coloured, electro galvanised available on request
- Certification - Works certificate supplied as standard
- Note - basic raw material and/or EC declaration of conformity available on request

Safe Working Load	Diameter Thread	Diameter Base	Diameter Eye Outside	Diameter Eye Inside	Thickness Collar	Height	Thread Length	Weight Each
Tonnes	a (inch)	b (mm)	c (mm)	e (mm)	f (mm)	g (mm)	h (mm)	Kg
0.10	1/4	22	33	15	7	36	18	0.06
0.15	5/16	22	33	15	7	36	18	0.06
0.25	3/8	22	33	15	7	36	18	0.06
0.50	1/2	29	44	20	10	48	23	0.15
0.90	5/8	36	52	24	12	58	28	0.27
1.40	3/4	45	66	30	14	73	35	0.54
2.00	7/8	52	77	35	17	84	40	0.85
2.75	1	58	85	39	20	94	46	1.13
3.50	1 1/8	65	96	44	22	106	51	1.62
4.50	1 1/4	72	106	48	24	117	56	2.37
6.50	1 1/2	81	118	54	27	131	63	3.12
9.00	1 3/4	101	148	68	34	164	79	6.27
12.00	2	115	168	76	38	186	89	9.58

## Collared Eyebolt - Metric Thread

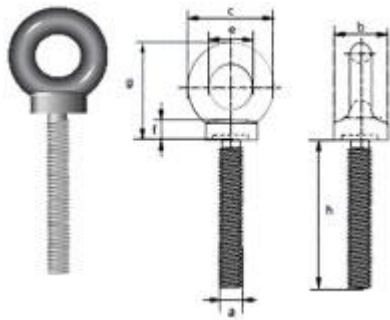


- Collared eyebolts - the quality range - with metric coarse thread
- Safety factor - MBL equals five times SWL
- Material - Tempered & hardened to BS970-080A27
- Finish - Self coloured, Electro-galvanised available on request
- Standard - BS 4278-table 1-1984
- Certification - Works certificate supplied as standard
- Note - Basic raw material and/or EC declaration of conformity available on request

Safe Working Load	Diameter Thread	Diameter Base	Diameter Eye Outside	Diameter Eye Inside	Thickness Collar	Height	Thread Length	Weight Each
Tonnes	a (mm)	b (mm)	c (mm)	e (mm)	f (mm)	g (mm)	h (mm)	Kg
0.10	6	22	33	15	7	36	18	0.06
0.15	8	22	33	15	7	36	18	0.06
0.25	10	22	33	15	7	36	18	0.06
0.40	12	22	33	15	7	36	18	0.06
0.50	14	29	44	20	10	48	23	0.15
0.80	16	29	44	20	10	48	23	0.15
1.00	18	36	52	24	12	58	28	0.27
1.60	20	40	59	27	14	65	32	0.38
1.60	22	45	64	30	14	73	35	0.54
2.50	24	52	77	35	17	84	40	0.85
2.50	27	58	85	39	20	94	46	1.13
4.00	30	65	96	44	22	106	51	1.62
4.00	33	72	106	48	24	117	56	2.37

6.30	36	81	118	54	27	131	63	3.12
6.30	39	86	123	57	29	137	67	3.81
8.00	42	101	148	68	34	164	79	6.27
8.00	45	101	148	68	34	164	79	6.45
10.00	48	101	148	68	34	164	79	6.51
12.50	52	115	168	76	38	186	89	9.58
16.00	56	128	188	86	43	208	100	12.99
20.00	64	144	212	96	48	234	112	18.20

### Long Shank Collared Eyebolt BSW Thread / UNC Thread



- Materials - High tensile steel
- Finish - Self-coloured, however electro galvanising is available
- Safety Factor - The MBL is equal to five times the safe working load
- Certificates - Issued along with a works certificate as standard
- Notes - When requested a basic raw material certificate as well as an EC declaration of conformity are available

Safe Working Load	Diameter Thread	Diameter Base	Diameter Eye Outside	Diameter Eye Inside	Thickness Collar	Height	Thread Length	Weight Each
Tonnes	a (inch)	b (inch)	c (inch)	e (inch)	f (inch)	g (inch)	h (inch)	Kg
0.25	3/8	27/32	1 5/16	9/16	9/32	1 3/8	7	0.18
0.50	1/2	1 1/8	1 5/8	3/4	3/8	1 3/4	7	0.25
0.90	5/8	1 13/32	2	15/16	15/32	2 1/4	7	0.44
1.40	3/4	1 11/16	2 7/16	1 1/8	9/16	2 3/4	7	0.70
2.00	7/8	1 31/32	2 13/16	1 5/16	21/32	2 7/8	7	1.05
2.75	1	2 1/4	3 1/4	1 1/2	3/4	3 7/16	7	1.50
3.50	1 1/8	2 13/16	4 1/8	1 7/8	15/16	4 1/2	7	2.80

4.50

1 1/4

2 13/16

4 1/8

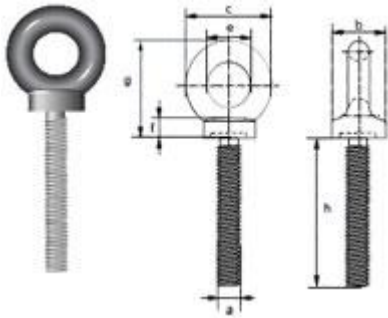
1 7/8

15/16

4 1/2 7

2.90

## Long Shank Collared Eyebolt Metric Thread



- Materials - High tensile steel
- Finish - Self-coloured, however electro galvanising is available
- Certificates - Issued along with a works certificate as standard
- Notes - When requested a basic raw material certificate as well as an EC declaration of conformity are available

Safe Working Load	Diameter Thread	Diameter Base	Diameter Eye Outside	Diameter Eye Inside	Thickness Collar	Height	Thread Length	Weight Each
Tonnes	a (mm)	b (mm)	c (mm)	e (mm)	f (mm)	g (mm)	h (mm)	Kg
0.25	10	22	33	15	7	36	178	0.18
0.40	12	28	41	19	11	45	178	0.25
0.50	14	36	52	24	14	58	178	0.40
0.80	16	36	52	24	14	58	178	0.44
1.00	18	43	62	29	17	69	178	0.70
1.60	20	43	62	29	17	69	178	0.70
2.50	24	57	82	38	19	87	178	1.50
4.00	30	71	104	48	24	116	178	2.80

**CALL US FOR MORE INFORMATION**  
**01384 76961**